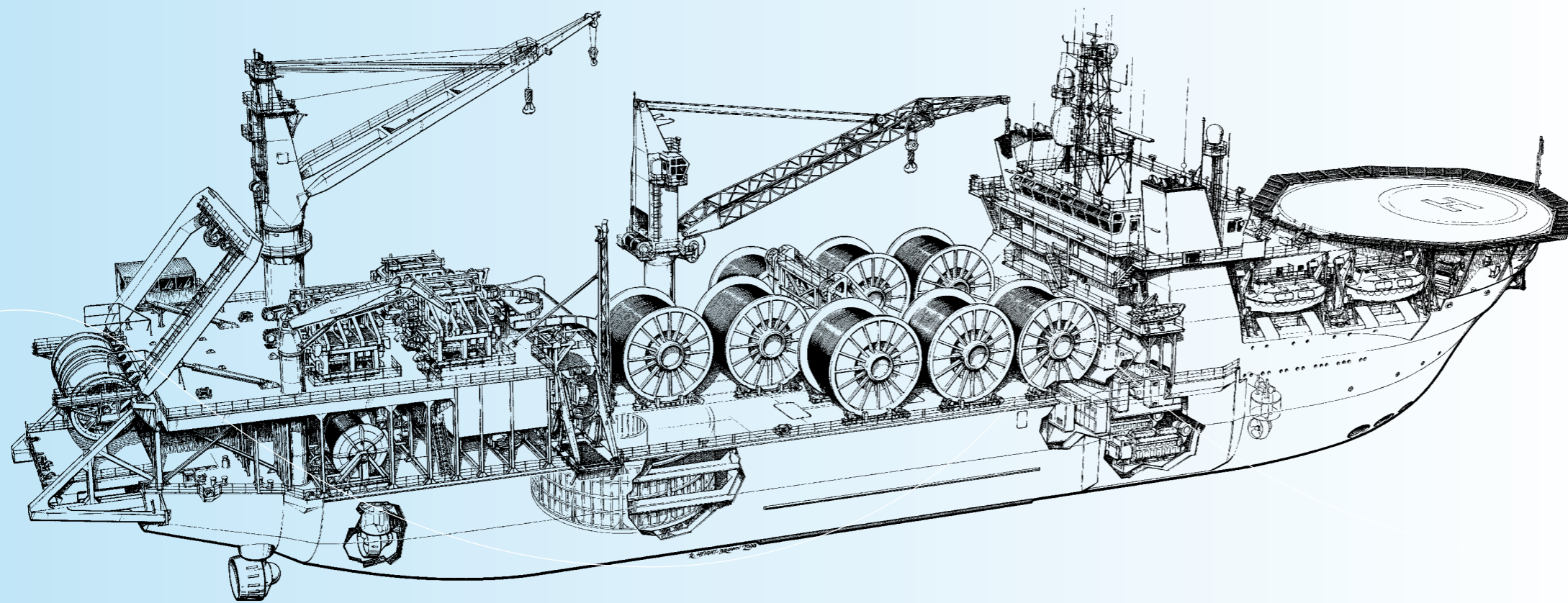




Europe Marine Control

*Fit-for-purpose supplier
of electrical drive systems
to the OEM offshore market*


MARINE CONTROL



Your **ship** needs **electrical** equipment?

You supply the special equipment, we deliver the specialized drives.

An electrical engineering specialist who not only designs your electrical system, but also installs it. Europe Marine Control knows everything there is to know about how your equipment is controlled and of the operational requirements of the system. We operate at the cutting edge, where highly specialist know-how and practical experience meet and connect. A unique combination and one of a kind in the world: Europe Marine Control in The Netherlands.

Europe Marine Control is a fit-for-purpose supplier of reliable electrical systems for the OEM offshore market. New-builds or retrofit. We do more than our work. We do whatever it takes to help you meet your client's demands. In short, we support shipyards and special equipment manufacturers in the area of:

- Carousels for cable and pipe laying
- Thrusters and propellers
- Winches
- Tensioners
- Overboard handling systems



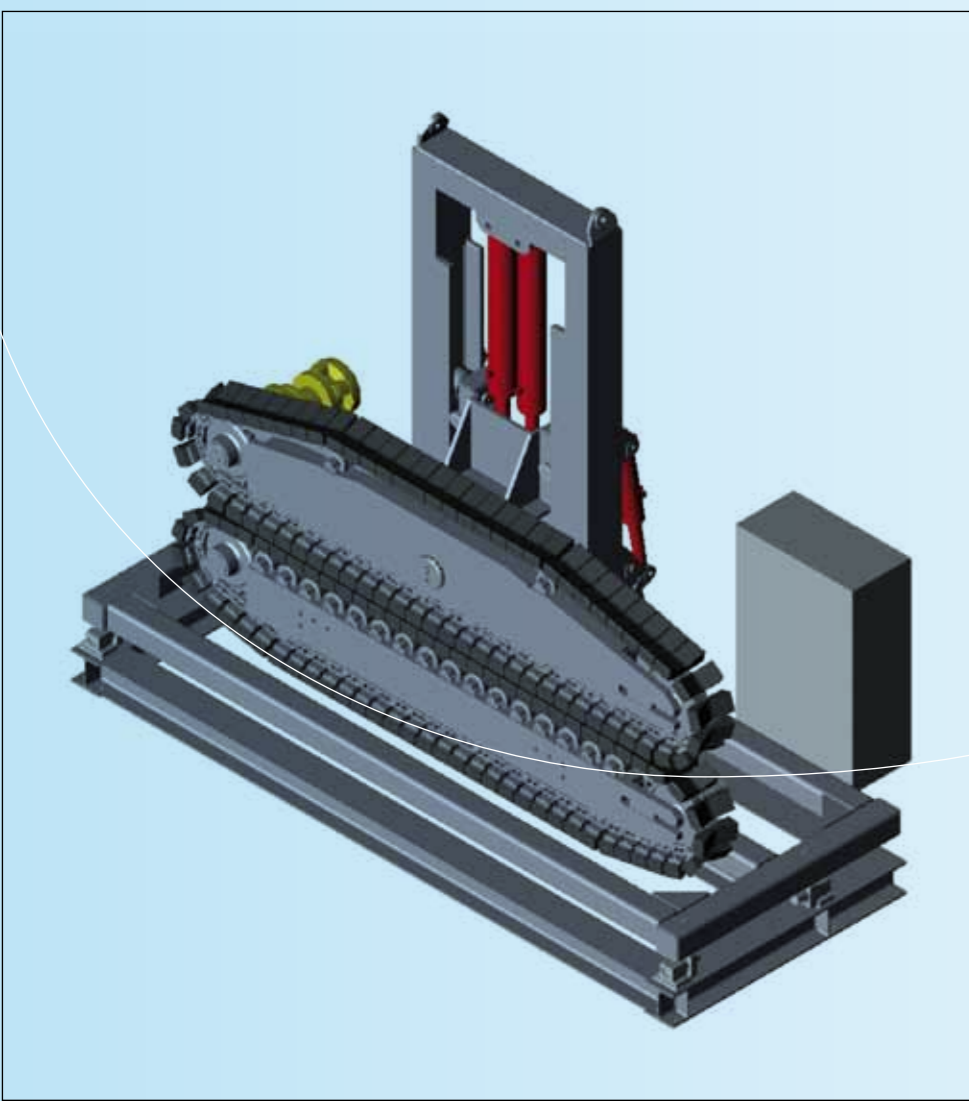


This is how **we** do it:
with full **guarantee** of success

Working with Europe Marine Control means you don't have to worry about anything. You provide the functional requirements, we deliver a perfect system solution. There's no need for you to invest valuable time in understanding the underlying technology. With a guaranteed 100% success.

It goes without saying that we work constructively with clients and their subcontractors, all over the world. Europe Marine Control is fully brand-independent, combining highly specific technical know-how with a broad view of best practices in electrical equipment in the offshore market. We are literally compatible with all and everyone.

As a western enterprise we operate in accordance with the European quality standards. This ensures rational solutions that connect seamlessly to the structural and functional design specifications the system must meet.

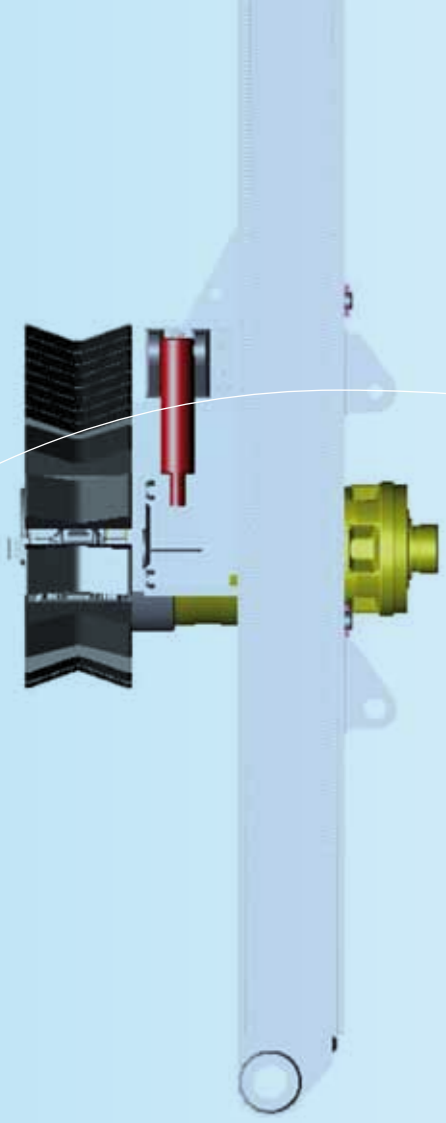


Fit for purpose draws on our innovative strength

Integrating tomorrow's technology in yesteryear's vessels is a feat that demands both drawing-board mastery and plenty of on-site inventiveness.

Here, too, you will experience the benefits of an all-in-one supplier who is equally confident in the design engineering as in the detail engineering. A partner who understands that every conceivable problem, right down to the cables and connections, needs to be solved on paper first to ensure a smooth construction phase.

A full view and in-depth understanding of marine electrical engineering enables Europe Marine Control to design and build long-lasting, dependable solutions, time after time. With a keen eye for initial costs and lifetime cost.



A solid partner with powerful credentials

Europe Marine Control is a healthy business with a solid financial basis. Our project-focused organization ensures one-to-one contact between yourself and our internal specialists. The advantage: short communication lines, minimum overheads, efficient use of labor. An operating structure that has achieved cost savings for our clients since entering the industry in the 1980s.

Europe Marine Control is part of Pon Holdings. A family owned business founded in 1892, Pon employs some 10,000 personnel worldwide, of which around 5,200 outside the Netherlands. The Pon company operates some 500 locations in more than 12 countries.

As a multi-faceted international trading group, Pon Holdings supplies a range of products and services which complement each other in terms of purpose, quality and organization structure. The Pon Group continually strives to add best value to the customer/ manufacturer relationship. In doing so, it benefits from long-standing relationships with the majority of its principals.

Doing business with Europe Marine Control means opting for a strong partner, with a proven track record in stability, growth, and high-end services. Opting for Europe Marine Control is opting for no risk.



EMC: The name is Your **Seal** of excellence

The EMC nameplate is the hallmark of a high quality product, used exclusively in Europe Marine Control equipment. The label ensures your product is fit for purpose and in accordance with the latest marine and classification standards.

Europe Marine Control

Het Vergun 6
NL-6931 KD Westervoort
The Netherlands

T +31(0)26-319 50 60
F +31(0)26-319 50 61

info@emcmarinecontrol.com
www.emcmarinecontrol.com

